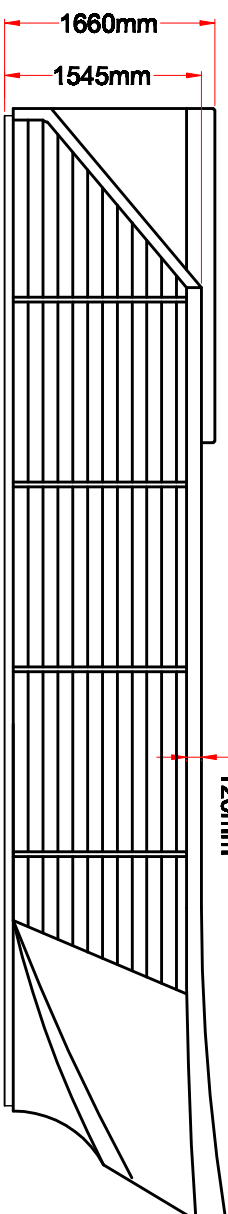
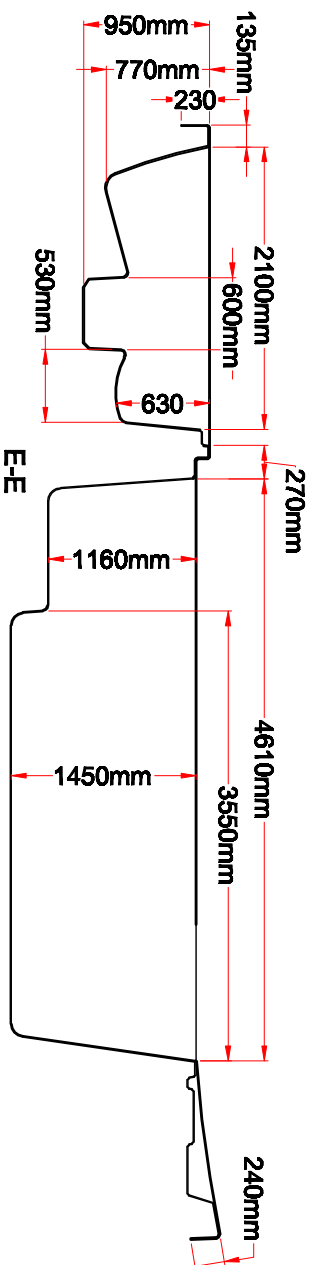
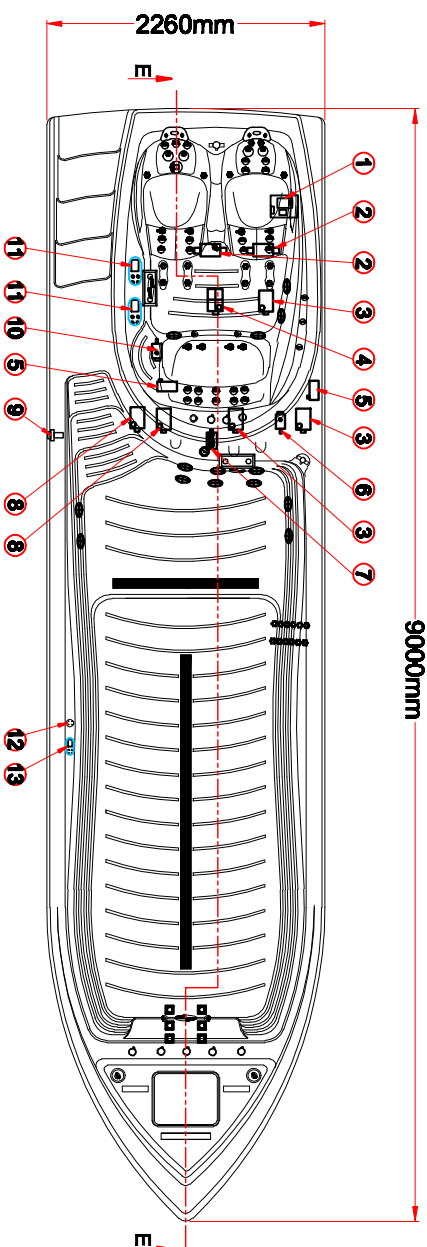


Model Name: ZEUS

Business plan



Note: Due to manufacturing tolerances, there could be some minor differences between the actual size and the drawing above. If also planning is critical to such tolerances, be sure to measure your actual size. All specifications are subject to change without notice. Some components may be optional on your spa.

NO	DESCRIPTION	PART #	QTY/UNIT	NO	DESCRIPTION	PART #	QTY/UNIT
9	EXTERNAL DRAIN	01.03.03.0163	1 pc	13	Control panel - INLKI120	01.03.05.0438	1 pc
8	SHIP Whitpool Bath Pump	01.03.05.0328	2 pcs	12	Inverter Control panel	01.03.05.0322	1 pc
7	400W BL OWER	01.03.05.0031	1 pcs	11	Control panel - INLX808	01.03.05.0439	2 pc
6	1.8HP Circulation Pump (2.5M Power cable)	01.03.05.0001	1 pc	10	0.8HP Circulation Pump (2.5M Power cable)	01.03.05.0001	1 pc
5	CP Ocean Generator	01.03.05.0035	2 pc				
4	SHIP Two Speed Pump(2.5M Power cable)	01.03.05.0029	1 pcs				
3	SHIP Single Speed Pump(2.5M Power cable)	01.03.05.0016	3 pcs				
2	Grade Control Box (NLYE-6-HISU)	01.02.06.0193	2 pc				
1	INVERTER SYSTEM	01.02.06.0130	1 pc				